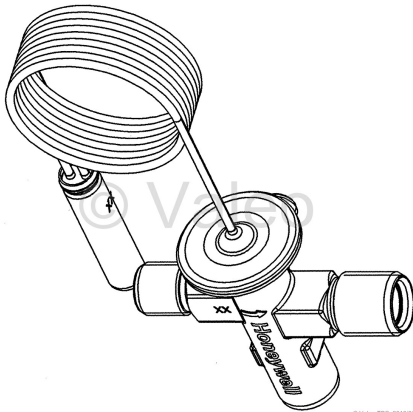


expansion valve TOEX - ID number 1103579A



© Valeo TRS 201807 1103579A_img_01

Info / Definition	Exp. Valve TOEX-E0647 58X34XUNFD (O-ring) Capillary tube length 600+- 10mm Sensor clip Sensor clip 1218, compensation line rolled up Connection 716 UNF, valve body made of brass, thermal head made of stainless steel, capillary tube and sensor made of copper
-------------------	----------------------------------------------------------------------------------------------------------------------------------------------------------------------------------------------------------------------------------------------------------------------------------

Status	€ yes mp mg md mv
--------	---------------------

Product group ID	40007
------------------	-------

Product group	Expansion valves
---------------	------------------

Weight (gross)	0,373 KG
----------------	----------

Usage/Code	NB01 Customs tariff No. 84811099 - Country of Origin: HU
------------	----------------------------------------------------------

ID number old	1103579A
---------------	----------

ID number new	—
---------------	---

Downloads	—
-----------	---



© Valeo TRS 201807 1103579A_img_01



© Valeo TRS 201509 1103579A_img_02



© Valeo TRS 201509 1103579A_img_01